

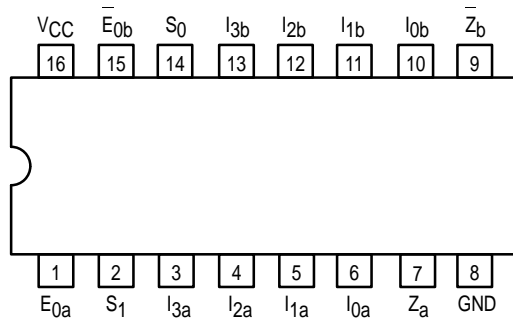


DUAL 4-INPUT MULTIPLEXER WITH 3-STATE OUTPUTS

The LSTTL/MSI SN54/74LS353 is a Dual 4-Input Multiplexer with 3-state outputs. It can select two bits of data from four sources using common select inputs. The outputs may be individually switched to a high impedance state with a HIGH on the respective Output Enable (E_0) inputs, allowing the outputs to interface directly with bus oriented systems. It is fabricated with the Schottky barrier diode process for high speed and is completely compatible with all TTL families.

- Inverted Version of the SN54/74LS253
- Schottky Process for High Speed
- Multifunction Capability
- Input Clamp Diodes Limit High Speed Termination Effects

CONNECTION DIAGRAM DIP (TOP VIEW)



NOTE:
The Flatpak version has the same pinouts (Connection Diagram) as the Dual In-Line Package.

PIN NAMES

S_0, S_1 Common Select Inputs

Multiplexer A

E_{0a} Output Enable (Active LOW) Input
 $I_{0a}-I_{3a}$ Multiplexer Inputs
 Z_a Multiplexer Output (Note b)

Multiplexer B

E_{0b} Output Enable (Active LOW) Input
 $I_{0b}-I_{3b}$ Multiplexer Inputs
 Z_b Multiplexer Output (Note b)

LOADING (Note a)

	HIGH	LOW
S_0, S_1	0.5 U.L.	0.25 U.L.
E_{0a}	0.5 U.L.	0.25 U.L.
$I_{0a}-I_{3a}$	0.5 U.L.	0.25 U.L.
Z_a	65 (25) U.L.	15 (7.5) U.L.
E_{0b}	0.5 U.L.	0.25 U.L.
$I_{0b}-I_{3b}$	0.5 U.L.	0.25 U.L.
Z_b	65 (25) U.L.	15 (7.5) U.L.

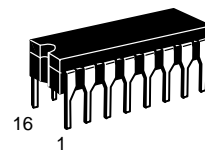
NOTES:

- a) 1 TTL Unit Load (U.L.) = 40 μ A HIGH/1.6 mA LOW.
 b) The Output LOW drive factor is 7.5 U.L. for Military (54) and 15 U.L. for Commercial (74) Temperature Ranges. The Output HIGH drive factor is 25 U.L. for Military and 65 U.L. for Commercial Temperature Ranges.

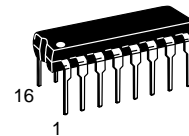
SN54/74LS353

DUAL 4-INPUT MULTIPLEXER WITH 3-STATE OUTPUTS

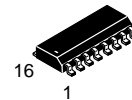
LOW POWER SCHOTTKY



J SUFFIX
CERAMIC
CASE 620-09



N SUFFIX
PLASTIC
CASE 648-08

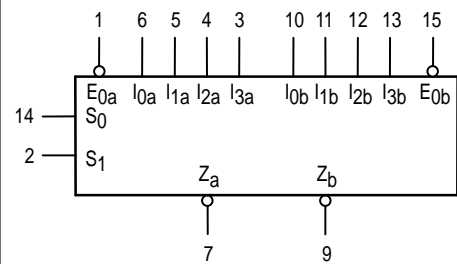


D SUFFIX
SOIC
CASE 751B-03

ORDERING INFORMATION

SN54LSXXXJ Ceramic
 SN74LSXXXN Plastic
 SN74LSXXXD SOIC

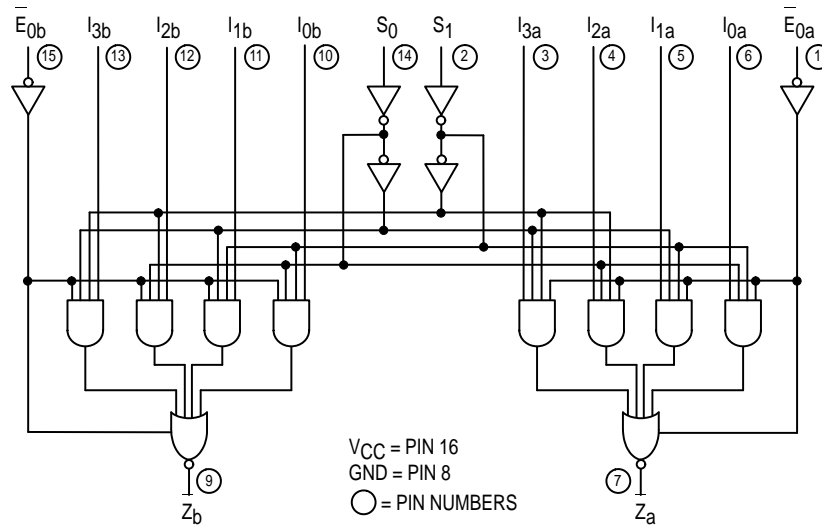
LOGIC SYMBOL



V_{CC} = PIN 16
 GND = PIN 8

SN54/74LS353

LOGIC DIAGRAM



FUNCTIONAL DESCRIPTION

The SN54/74LS353 contains two identical 4-input Multiplexers with 3-state outputs. They select two bits from four sources selected by common select inputs (S_0 , S_1). The 4-input multiplexers have individual Output Enable (E_{0a} , E_{0b})

inputs which when HIGH, forces the outputs to a high impedance (high Z) state.

The logic equations for the outputs are shown below:

$$\bar{Z}_a = \bar{E}_{0a} \cdot (I_{0a} \cdot \bar{S}_1 \cdot \bar{S}_0 + I_{1a} \cdot \bar{S}_1 \cdot S_0 + I_{2a} \cdot S_1 \cdot \bar{S}_0 + I_{3a} \cdot S_1 \cdot S_0)$$

$$\bar{Z}_b = E_{0b} \cdot (I_{0b} \cdot \bar{S}_1 \cdot \bar{S}_0 + I_{1b} \cdot \bar{S}_1 \cdot S_0 + I_{2b} \cdot S_1 \cdot \bar{S}_0 + I_{3b} \cdot S_1 \cdot S_0)$$

If the outputs of 3-state devices are tied together, all but one device must be in the high impedance state to avoid high currents that would exceed the maximum ratings. Designers

should ensure that Output Enable signals to 3-state devices whose outputs are tied together are designed so that there is no overlap.

TRUTH TABLE

SELECT INPUTS		DATA INPUTS				OUTPUT ENABLE	OUTPUT
S_0	S_1	I_0	I_1	I_2	I_3	\bar{E}_0	Z
X	X	X	X	X	X	H	(Z)
L	L	L	X	X	X	L	H
L	L	H	X	X	X	L	L
H	L	X	L	X	X	L	H
H	L	X	H	X	X	L	L
L	H	X	X	L	X	L	H
L	H	X	X	H	X	L	L
H	H	X	X	X	L	L	H
H	H	X	X	X	H	L	L

H = HIGH Level

L = LOW Level

X = Immaterial

(Z) = High Impedance (off)

Address inputs S_0 and S_1 are common to both sections.

SN54/74LS353

GUARANTEED OPERATING RANGES

Symbol	Parameter		Min	Typ	Max	Unit
V _{CC}	Supply Voltage	54 74	4.5 4.75	5.0 5.0	5.5 5.25	V
T _A	Operating Ambient Temperature Range	54 74	-55 0	25 25	125 70	°C
I _{OH}	Output Current — High	54 74			-1.0 -2.6	mA
I _{OL}	Output Current — Low	54 74			12 24	mA

DC CHARACTERISTICS OVER OPERATING TEMPERATURE RANGE (unless otherwise specified)

Symbol	Parameter	Limits			Unit	Test Conditions	
		Min	Typ	Max			
V _{IH}	Input HIGH Voltage	2.0			V	Guaranteed Input HIGH Voltage for All Inputs	
V _{IL}	Input LOW Voltage	54		0.7	V	Guaranteed Input LOW Voltage for All Inputs	
		74		0.8			
V _{IK}	Input Clamp Diode Voltage		-0.65	-1.5	V	V _{CC} = MIN, I _{IN} = -18 mA	
V _{OH}	Output HIGH Voltage	54	2.4	3.4	V	V _{CC} = MIN, I _{OH} = MAX, V _{IN} = V _{IH} or V _{IL} per Truth Table	
		74	2.4	3.1	V		
V _{OL}	Output LOW Voltage Q _A –Q _H	54, 74		0.25	0.4	V	I _{OL} = 12 mA V _{CC} = V _{CC} MIN, V _{IN} = V _{IL} or V _{IH} per Truth Table
		74		0.35	0.5	V	
I _{OZH}	Output Off Current HIGH			20	μA	V _{CC} = MAX, V _{OUT} = 2.7 V	
I _{OZL}	Output Off Current LOW			-20	μA	V _{CC} = MAX, V _{OUT} = 0.4 V	
I _{IH}	Input HIGH Current			20	μA	V _{CC} = MAX, V _{IN} = 2.7 V	
				0.1	mA	V _{CC} = MAX, V _{IN} = 7.0 V	
I _{IL}	Input LOW Current			-0.4	mA	V _{CC} = MAX, V _{IN} = 0.4 V	
I _{OS}	Short Circuit Current (Note 1)	-20		-130	mA	V _{CC} = MAX	
I _{CC}	Power Supply Current Total, Output 3-State			14	mA	V _{CC} = MAX	
	Total, Output LOW			12			

Note 1: Not more than one output should be shorted at a time, nor for more than 1 second.

AC CHARACTERISTICS (T_A = 25°C, V_{CC} = 5.0 V)

Symbol	Parameter	Limits			Unit	Test Conditions	
		Min	Typ	Max			
t _{PLH} t _{PHL}	Propagation Delay, Data to Output		11 13	25 20	ns	Figure 1	C _L = 15 pF
t _{PLH} t _{PHL}	Propagation Delay, Select to Output		20 21	45 32	ns	Figure 1 or 2	
t _{PZH}	Output Enable Time to HIGH Level		11	23	ns	Figures 4, 5	
t _{PZL}	Output Enable Time to LOW Level		15	23	ns	Figures 3, 5	
t _{PLZ}	Output Disable Time to LOW Level		12	27	ns	Figures 3, 5	C _L = 5.0 pF
t _{PHZ}	Output Disable Time to HIGH Level		27	41	ns	Figures 4, 5	

SN54/74LS353

3-STATE WAVEFORMS

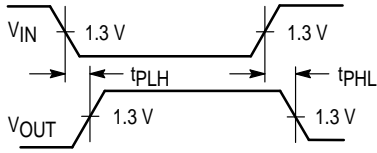


Figure 1

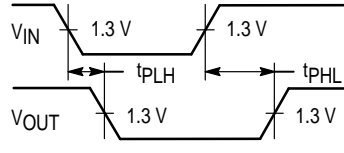


Figure 2

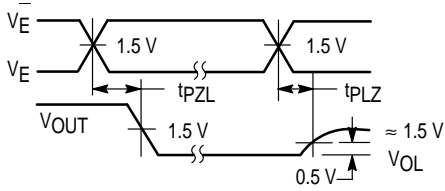


Figure 3

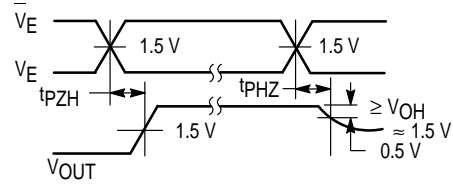
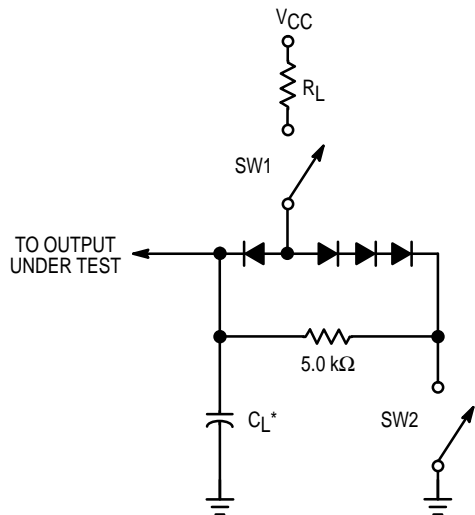


Figure 4

AC LOAD CIRCUIT



* Includes Jig and Probe Capacitance.

SWITCH POSITIONS

SYMBOL	SW1	SW2
t _{PZH}	Open	Closed
t _{PZL}	Closed	Open
t _{PLZ}	Closed	Closed
t _{PHZ}	Closed	Closed

Figure 5