

**SN5451, SN54LS51, SN54S51,
SN7451, SN74LS51, SN74S51
AND-OR-INVERT GATES**

DECEMBER 1983 - REVISED MARCH 1988

- Package Options Include Plastic "Small Outline" Packages, Ceramic Chip Carriers and Flat Packages, and Plastic and Ceramic DIPs
- Dependable Texas Instruments Quality and Reliability

description

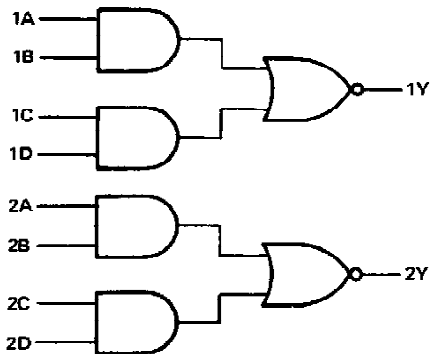
The '51 and 'S51 contain two independent 2-wide 2-input AND-OR-INVERT gates. They perform the Boolean function $Y = \overline{AB + CD}$.

The 'LS51 contains one 2-wide 3-input and one 2-wide 2-input AND-OR-INVERT gates. They perform the Boolean functions $1Y = \overline{(1A \cdot 1B \cdot 1C) + (1D \cdot 1E \cdot 1F)}$ and $2Y = \overline{(2A \cdot 2B) + (2C \cdot 2D)}$.

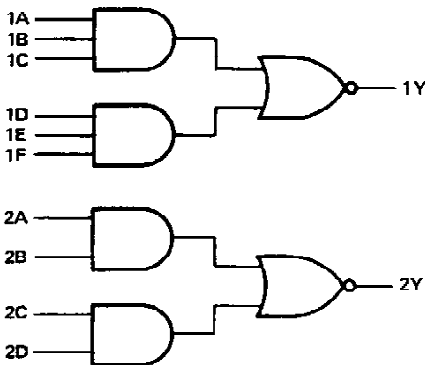
The SN5451, SN54LS51, and SN54S51 are characterized for operation over the full military temperature range of -55°C to 125°C. The SN7451, SN74LS51 and SN74S51 are characterized for operation from 0°C to 70°C.

logic diagrams

'51, 'S51

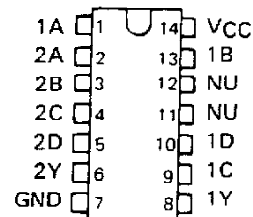


'LS51



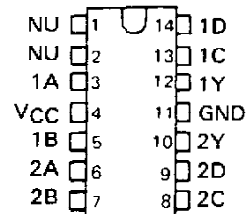
SN5451 . . . J PACKAGE
SN54S51 . . . J OR W PACKAGE
SN7451 . . . N PACKAGE
SN74S51 . . . D OR N PACKAGE

(TOP VIEW)



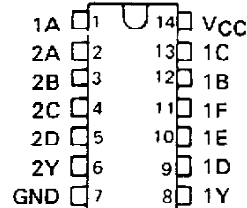
SN5451 . . . W PACKAGE

(TOP VIEW)



SN54LS51 . . . J OR W PACKAGE
SN74LS51 . . . D OR N PACKAGE

(TOP VIEW)



NC - No internal connection

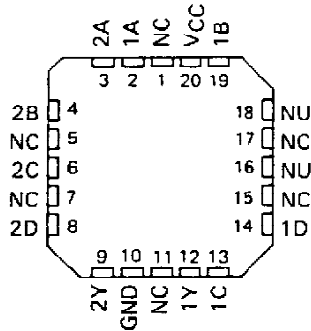
NU - Make no external connection

PRODUCTION DATA documents contain information current as of publication date. Products conform to specifications per the terms of Texas Instruments standard warranty. Production processing does not necessarily include testing of all parameters.

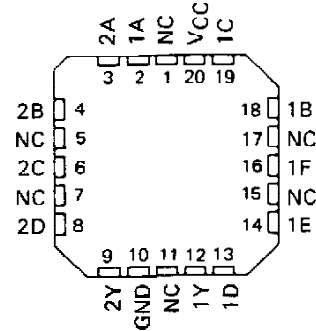


**SN5451, SN54LS51, SN54S51,
SN7451, SN74LS51, SN74S51
AND-OR-INVERT GATES**

**SN54S51 . . . FK PACKAGE
(TOP VIEW)**

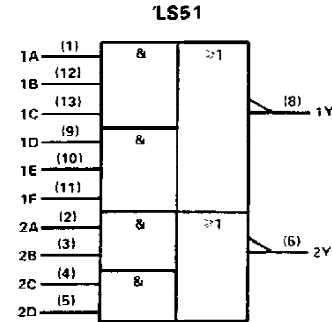
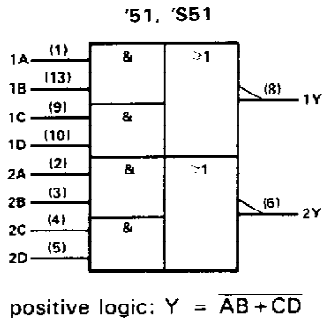


**SN54LS51 . . . FK PACKAGE
(TOP VIEW)**



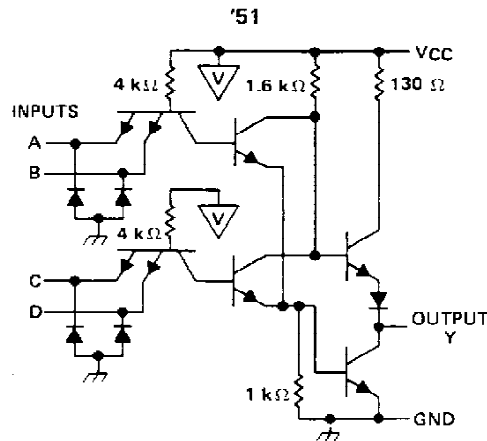
NC - No internal connection
NU - Make no external connection

logic symbols†



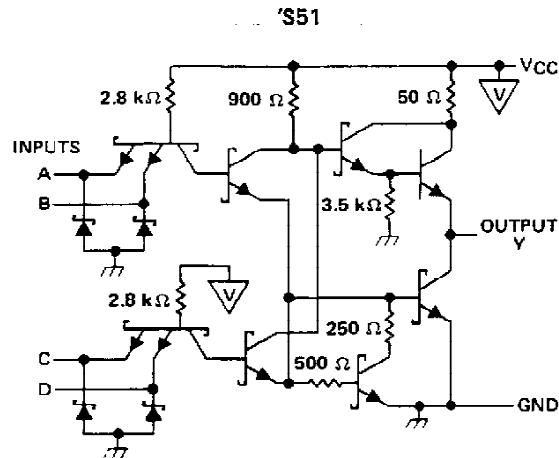
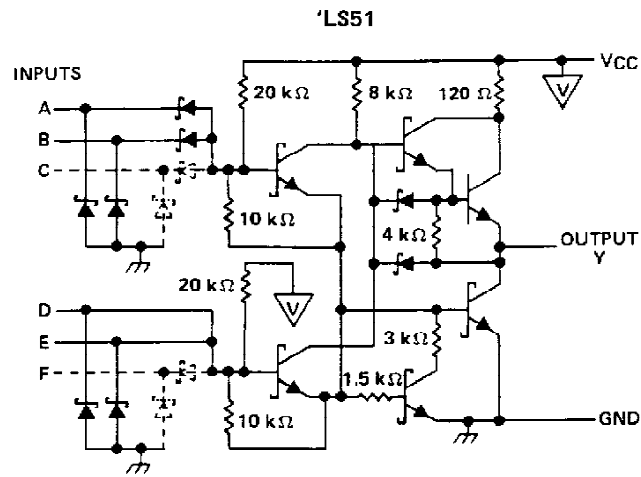
†These symbols are in accordance with ANSI/IEEE Std 91-1984 and IEC Publication 617-12. Pin numbers shown are for D, J, N, and W packages.

schematics



**SN5451, SN54LS51, SN54S51
SN7451, SN74LS51, SN74S51
AND-OR-INVERT GATES**

schematics



absolute maximum ratings over operating free-air temperature range (unless otherwise noted)

Supply voltage, V _{CC} (See Note 1): '51, 'LS51, 'S51	7 V
Input voltage: '51, 'S51	5.5 V
'LS51	7 V
Operating free-air temperature range: SN54'	-55°C to 125°C
SN74'	0°C to 70°C
Storage temperature range	-65°C to 150°C

NOTE 1: Voltage values are with respect to network ground terminal.



POST OFFICE BOX 655012 • DALLAS, TEXAS 75265

SN5451, SN7451 AND-OR-INVERT GATES

recommended operating conditions

	SN5451			SN7451			UNIT
	MIN	NOM	MAX	MIN	NOM	MAX	
V_{CC} Supply voltage	4.5	5	5.5	4.75	5	5.25	V
V_{IH} High-level input voltage	2			2			V
V_{IL} Low-level input voltage	0.8			0.8			V
I_{OH} High-level output current	-0.4			-0.4			mA
I_{OL} Low-level output current	16			16			mA
T_A Operating free-air temperature	-55	125		0	70		$^{\circ}$ C

electrical characteristics over recommended operating free-air temperature range (unless otherwise noted)

PARAMETER	TEST CONDITIONS †	SN5451			SN7451			UNIT	
		MIN	TYP ‡	MAX	MIN	TYP ‡	MAX		
V_{IK}	$V_{CC} = \text{MIN.}$, $I_I = -12 \text{ mA}$	-1.5			-1.5			V	
V_{OH}	$V_{CC} = \text{MIN.}$, $V_{IL} = 0.8 \text{ V.}$, $I_{OH} = -0.4 \text{ mA}$	2.4	3.4		2.4	3.4		V	
V_{OL}	$V_{CC} = \text{MIN.}$, $V_{IH} = 2 \text{ V.}$, $I_{OL} = 16 \text{ mA}$		0.2	0.4		0.2	0.4	V	
I_I	$V_{CC} = \text{MAX.}$, $V_I = 5.5 \text{ V}$	1			1			mA	
I_{IH}	$V_{CC} = \text{MAX.}$, $V_I = 2.4 \text{ V}$	40			40			μ A	
I_{IL}	$V_{CC} = \text{MAX.}$, $V_I = 0.4 \text{ V}$	-1.6			-1.6			mA	
I_{OSS} §	$V_{CC} = \text{MAX.}$	-20	-55		-18	-55		mA	
I_{CCH}	$V_{CC} = \text{MAX.}$, $V_I = 0 \text{ V}$	4			4			8	mA
I_{CCL}	$V_{CC} = \text{MAX.}$, See Note 2	7.4			7.4			14	mA

† For conditions shown as MIN or MAX, use the appropriate value specified under recommended operating conditions.

‡ All typical values are at $V_{CC} = 5 \text{ V}$, $T_A = 25^{\circ}\text{C}$.

§ Not more than one output should be shorted at a time.

NOTE 2: All inputs of one AND gate at 4.5 V, all others at GND.

switching characteristics, $V_{CC} = 5 \text{ V}$, $T_A = 25^{\circ}\text{C}$ (see note 3)

PARAMETER	FROM (INPUT)	TO (OUTPUT)	TEST CONDITIONS	MIN	TYP	MAX	UNIT
t_{PLH}	Any	Y	$R_L = 400 \Omega$, $C_L = 15 \text{ pF}$	13		22	ns
t_{PHL}				8		15	

NOTE 3: Load circuits and voltage waveforms are shown in Section 1.

TEXAS
INSTRUMENTS

POST OFFICE BOX 655012 • DALLAS, TEXAS 75265

SN54LS51, SN74LS51 AND-OR-INVERT GATES

recommended operating conditions

	SN54LS51			SN74LS51			UNIT
	MIN	NOM	MAX	MIN	NOM	MAX	
V_{CC} Supply voltage	4.5	5	5.5	4.75	5	5.25	V
V_{IH} High-level input voltage	2			2			V
V_{IL} Low-level input voltage			0.7			0.8	V
I_{OH} High-level output current			-0.4			-0.4	mA
I_{OL} Low-level output current			4			8	mA
T_A Operating free-air temperature	-55		125	0		70	$^{\circ}$ C

electrical characteristics over recommended operating free-air temperature range (unless otherwise noted)

PARAMETER	TEST CONDITIONS †	SN54LS51			SN74LS51			UNIT
		MIN	TYP ‡	MAX	MIN	TYP ‡	MAX	
V_{IK}	$V_{CC} = \text{MIN}$, $I_I = -18 \text{ mA}$			-1.5			-1.5	V
V_{OH}	$V_{CC} = \text{MIN}$, $V_{IL} = \text{MAX}$, $I_{OH} = -0.4 \text{ mA}$	2.5	3.4		2.7	3.4		V
V_{OL}	$V_{CC} = \text{MIN}$, $V_{IH} = 2 \text{ V}$, $I_{OL} = 4 \text{ mA}$		0.25	0.4		0.25	0.4	V
	$V_{CC} = \text{MIN}$, $V_{IH} = 2 \text{ V}$, $I_{OL} = 8 \text{ mA}$					0.35	0.5	
I_I	$V_{CC} = \text{MAX}$, $V_I = 7 \text{ V}$			0.1			0.1	mA
I_{IH}	$V_{CC} = \text{MAX}$, $V_I = 2.7 \text{ V}$			20			20	μ A
I_{IL}	$V_{CC} = \text{MAX}$, $V_I = 0.4 \text{ V}$			-0.4			-0.4	mA
$I_{OS} §$	$V_{CC} = \text{MAX}$	-20		-100	-20		-100	mA
I_{CCH}	$V_{CC} = \text{MAX}$, $V_I = 0 \text{ V}$		0.8	1.6		0.8	1.6	mA
I_{CCL}	$V_{CC} = \text{MAX}$, See Note 2		1.4	2.8		1.4	2.8	mA

† For conditions shown as MIN or MAX, use the appropriate value specified under recommended operating conditions.

‡ All typical values are at $V_{CC} = 5 \text{ V}$, $T_A = 25^{\circ}\text{C}$.

§ Not more than one output should be shorted at a time, and the duration of the short-circuit should not exceed one second.

NOTE 2: All inputs of one AND gate at 4.5 V, all others at GND.

switching characteristics, $V_{CC} = 5 \text{ V}$, $T_A = 25^{\circ}\text{C}$ (see note 3)

PARAMETER	FROM (INPUT)	TO (OUTPUT)	TEST CONDITIONS	MIN	TYP	MAX	UNIT
t_{PLH}	Any	Y	$R_L = 2 \text{ k}\Omega$, $C_L = 15 \text{ pF}$		12	20	ns
t_{PHL}					12.5	20	

NOTE 3: Load circuits and voltage waveforms are shown in Section 1.

TEXAS
INSTRUMENTS

POST OFFICE BOX 655012 • DALLAS, TEXAS 75265

SN54S51, SN74S51 AND-OR-INVERT GATES

recommended operating conditio

V_{CC}	Supply voltage
V_{IH}	High-level input voltage
V_{IL}	Low-level input voltage
I_{OH}	High-level output current
I_{OL}	Low-level output current
T_A	Operating free-air temperature

electrical characteristics over reco

PARAMETER	TEST
V_{IK}	$V_{CC} = \text{MIN.}, I_I = -10 \mu\text{A}$
V_{OH}	$V_{CC} = \text{MIN.}, V_{IL} = 0$
V_{OL}	$V_{CC} = \text{MIN.}, V_{IH} = 1$
I_I	$V_{CC} = \text{MAX.}, V_I = 5.0$
I_{IH}	$V_{CC} = \text{MAX.}, V_I = 2.0$
I_{IL}	$V_{CC} = \text{MAX.}, V_I = 0.1$
$I_{OS} \ddagger$	$V_{CC} = \text{MAX.}$
I_{CCH}	$V_{CC} = \text{MAX.}, V_I = 0$
I_{CCL}	$V_{CC} = \text{MAX.}, \text{ See Note 1}$

† For conditions shown as MIN or MAX, use

IMPORTANT NOTICE

Texas Instruments (TI) reserves the right to make changes to its products or to discontinue any semiconductor product or service without notice, and advises its customers to obtain the latest version of relevant information to verify, before placing orders, that the information being relied on is current.

TI warrants performance of its semiconductor products and related software to the specifications applicable at the time of sale in accordance with TI's standard warranty. Testing and other quality control techniques are utilized to the extent TI deems necessary to support this warranty. Specific testing of all parameters of each device is not necessarily performed, except those mandated by government requirements.

Certain applications using semiconductor products may involve potential risks of death, personal injury, or severe property or environmental damage ("Critical Applications").

TI SEMICONDUCTOR PRODUCTS ARE NOT DESIGNED, INTENDED, AUTHORIZED, OR WARRANTED TO BE SUITABLE FOR USE IN LIFE-SUPPORT APPLICATIONS, DEVICES OR SYSTEMS OR OTHER CRITICAL APPLICATIONS.

Inclusion of TI products in such applications is understood to be fully at the risk of the customer. Use of TI products in such applications requires the written approval of an appropriate TI officer. Questions concerning potential risk applications should be directed to TI through a local SC sales office.

In order to minimize risks associated with the customer's applications, adequate design and operating safeguards should be provided by the customer to minimize inherent or procedural hazards.

TI assumes no liability for applications assistance, customer product design, software performance, or infringement of patents or services described herein. Nor does TI warrant or represent that any license, either express or implied, is granted under any patent right, copyright, mask work right, or other intellectual property right of TI covering or relating to any combination, machine, or process in which such semiconductor products or services might be or are used.

IMPORTANT NOTICE

Texas Instruments (TI) reserves the right to make changes to its products or to discontinue any semiconductor product or service without notice, and advises its customers to obtain the latest version of relevant information to verify, before placing orders, that the information being relied on is current.

TI warrants performance of its semiconductor products and related software to the specifications applicable at the time of sale in accordance with TI's standard warranty. Testing and other quality control techniques are utilized to the extent TI deems necessary to support this warranty. Specific testing of all parameters of each device is not necessarily performed, except those mandated by government requirements.

Certain applications using semiconductor products may involve potential risks of death, personal injury, or severe property or environmental damage ("Critical Applications").

TI SEMICONDUCTOR PRODUCTS ARE NOT DESIGNED, INTENDED, AUTHORIZED, OR WARRANTED TO BE SUITABLE FOR USE IN LIFE-SUPPORT APPLICATIONS, DEVICES OR SYSTEMS OR OTHER CRITICAL APPLICATIONS.

Inclusion of TI products in such applications is understood to be fully at the risk of the customer. Use of TI products in such applications requires the written approval of an appropriate TI officer. Questions concerning potential risk applications should be directed to TI through a local SC sales office.

In order to minimize risks associated with the customer's applications, adequate design and operating safeguards should be provided by the customer to minimize inherent or procedural hazards.

TI assumes no liability for applications assistance, customer product design, software performance, or infringement of patents or services described herein. Nor does TI warrant or represent that any license, either express or implied, is granted under any patent right, copyright, mask work right, or other intellectual property right of TI covering or relating to any combination, machine, or process in which such semiconductor products or services might be or are used.